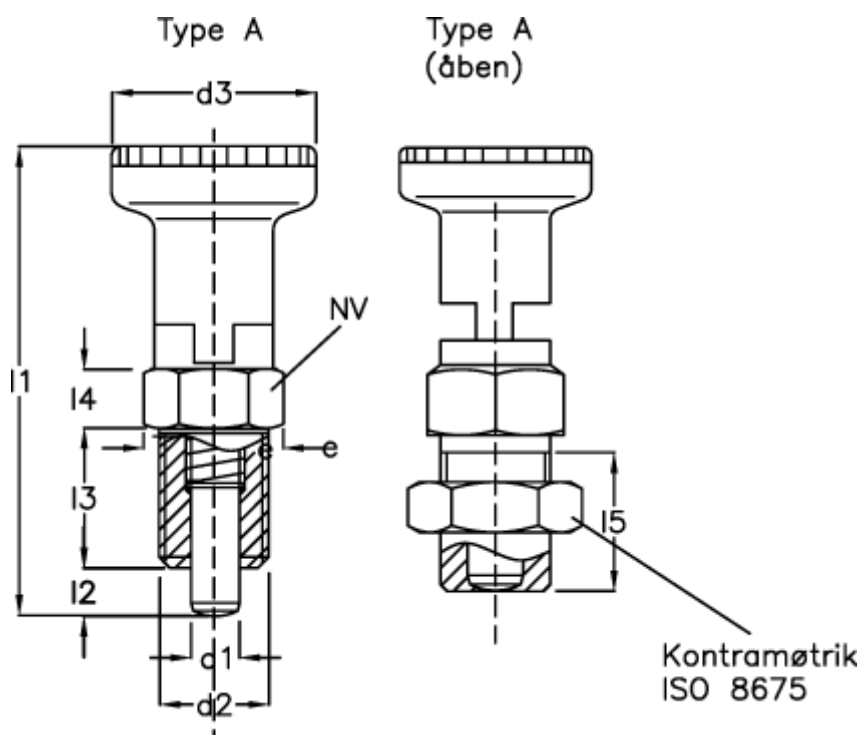


Article number: 2061718ANI
 Description: E+G Indexing plunger
 GN 617.1-8-A-NI

Measures



$d1 = 8$	$l5 = 23$
$d2 = M16 \times 1,5$	$NV = 19$
$d3 = 31$	Spring pressure N bottom = 26.0
$e = 21.9$	Spring pressure N top = 11.0
$l1 = 75.5$	
$l2 = 7$	
$l3 = 26$	
$l4 = 8$	